

CLASSIC™

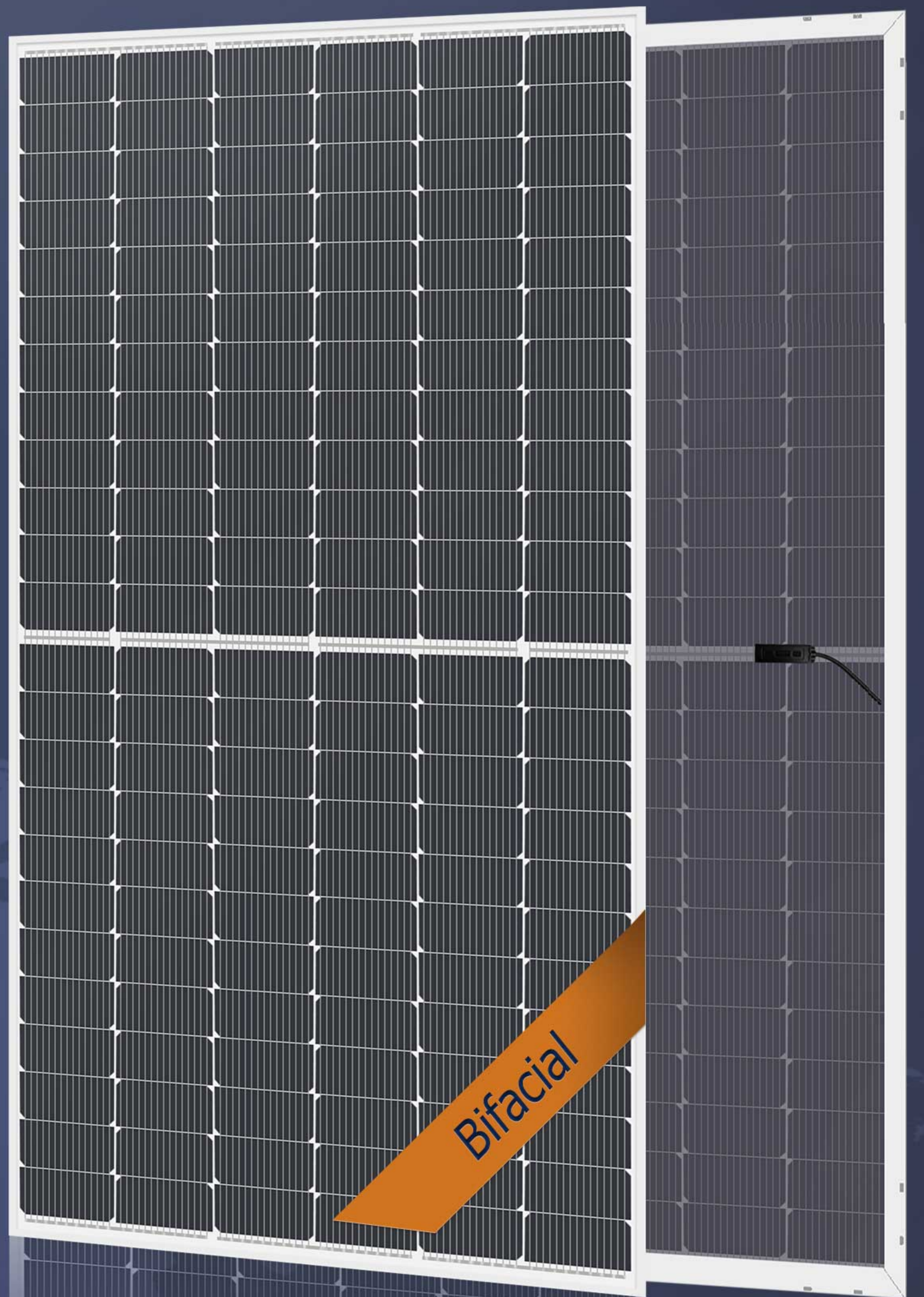


ECO-560-580M-72LHC-DGBF (TOPCON)

BIFACIAL SOLAR MODULE

TOPCON

M10 182mm



30 YEARS
PRODUCT MATERIAL &
WORKMANSHIP

30 YEARS 87.4%
LINEAR PERFORMANCE
WARRANTY

INNOVATIONAL
SMBB AND
HALF-CUT CELLS
TECHNOLOGY

REDUCE
INTERNAL LOSS
REDUCE
SHADOW LOSS

N TYPE
TOPCON CELL
TECHNOLOGY
EXCELLENT CELL
EFFICIENCY AND OUTPUT

PASSED THREE
TIMES IEC
STANDARD TEST

ADVANCED
BIFACIAL
EFFICIENCY

ECO DELTA Mono TOPCON Half-cut Cell Double-glass-bifacial PV Module



ECO-560-580M-72LHC-DGBF(TOPCON)

ELECTRICAL DATA @ STC		ECO-560M-72 LHC-DGBF	ECO-565M-72 LHC-DGBF	ECO-570M-72 LHC-DGBF	ECO-575M-72 LHC-DGBF	ECO-580M-72 LHC-DGBF
Peak Power(Pmax)	(W)	560	565	570	575	580
Maximum Power Voltage (Vmp)	(V)	42.17	42.35	42.51	42.69	42.87
Maximum Power Current(Imp)	(A)	13.28	13.34	13.41	13.47	13.53
Open-circuit Voltage (Voc)	(V)	50.63	50.83	51.03	51.23	51.43
Short-circuit Current(Isc)	(A)	14.06	14.12	14.18	14.24	14.30
Module Efficiency	(%)	21.68	21.87	22.07	22.26	22.45
Operating Temperature		-40°C~+85°C				
Maximum System Voltage		1500V				
Maximum Series Fuse Rating		30A				
Mechanical Test Load		Front 5400Pa Rear 2400Pa				

*STC (Standard Test Condition): Irradiance 1000W/ m², Module Temperature 25°C, AM 1.5

ELECTRICAL DATA @ NMOT		ECO-560M-72 LHC-DGBF	ECO-565M-72 LHC-DGBF	ECO-570M-72 LHC-DGBF	ECO-575M-72 LHC-DGBF	ECO-580M-72 LHC-DGBF
Peak Power(Pmax)	(W)	423	427	431	435	439
MPP Voltage (Vmp)	(V)	39.64	39.79	39.98	40.13	40.28
MPP Current(Imp)	(A)	10.67	10.73	10.78	10.84	10.90
Open Circuit Voltage (Voc)	(V)	48.26	48.45	48.64	48.83	49.02
Short Circuit Current(Isc)	(A)	11.35	11.40	11.45	11.49	11.54

*Under Nominal Module Operating Temperature (NMOT), Irradiance of 800W/ m², Spectrum AM 1.5, Ambient Temperature 20°C, Wind Speed 1m/s

TEMPERATURE CHARACTERISTICS

Temperature coefficient of Pmax	-0.29%/°C
Temperature coefficient of Voc	-0.25%/°C
Temperature coefficient of Isc	0.045%/°C
NMOT	45±2°C

MECHANICAL DATA

Cell Type	Mono-Crystalline TOPCON
Cell Arrangement	144pcs (2(6×12))
Dimension (L×W×H)	2278 x 1134 x 30 mm
Weight	32.5kg
Front Cover	2.0mm high transmittance, AR coated tempered glass
Frame	Anodized Aluminium Alloy
Junction Box	IP68, 3 Bypass Diodes
Cable Type	4mm ²
Length of Cable	1400mm
Connector	Compatible with MC4 PV Connector

OPTIONAL

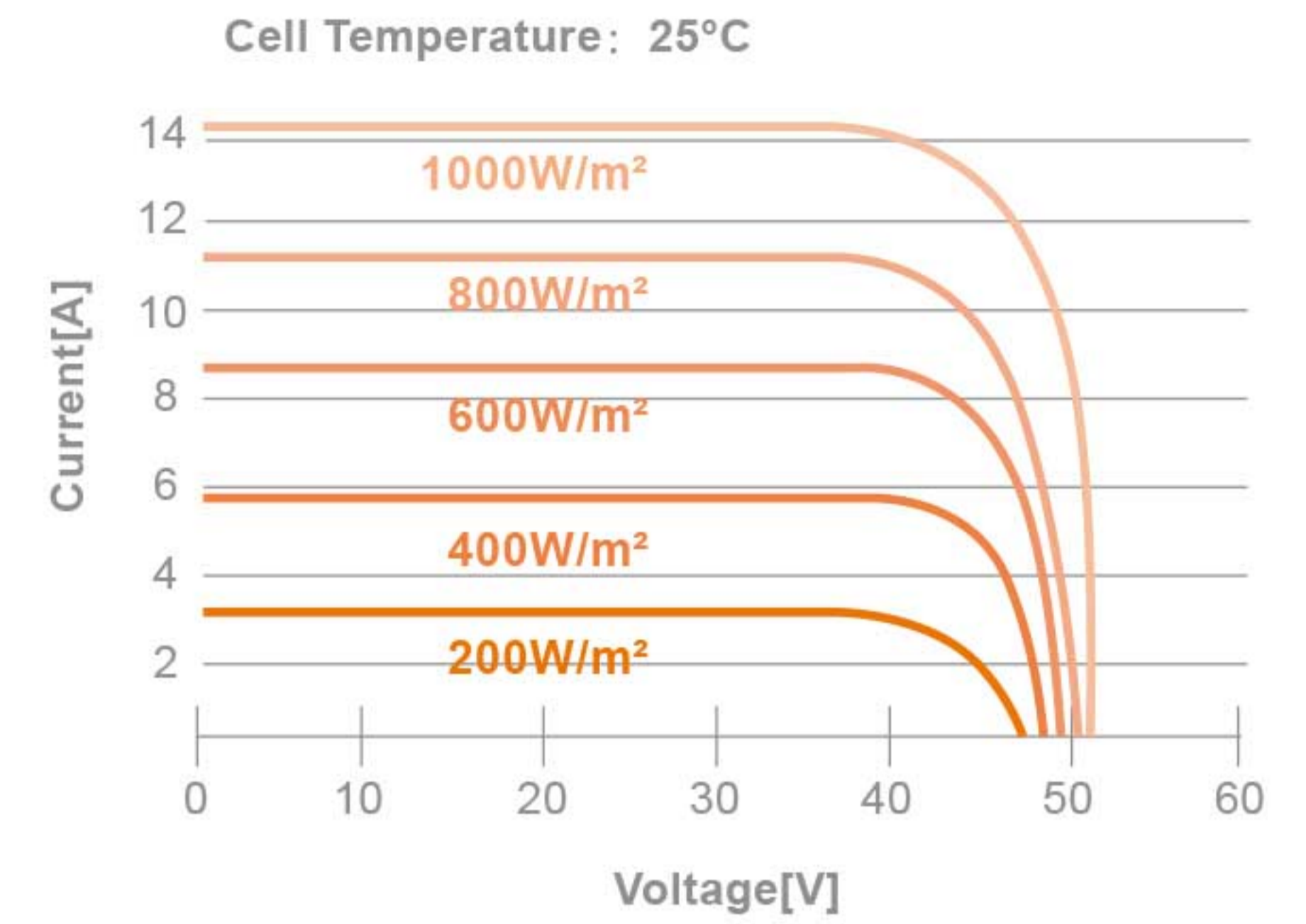
Frame	<input type="checkbox"/> Black <input type="checkbox"/> Silvery
Backsheet	2.0mm heat strengthened glass
Connector	<input type="checkbox"/> Original MC4
Cable	<input type="checkbox"/> Customized
Module Size	<input type="checkbox"/> Customized

PACKING MANNER

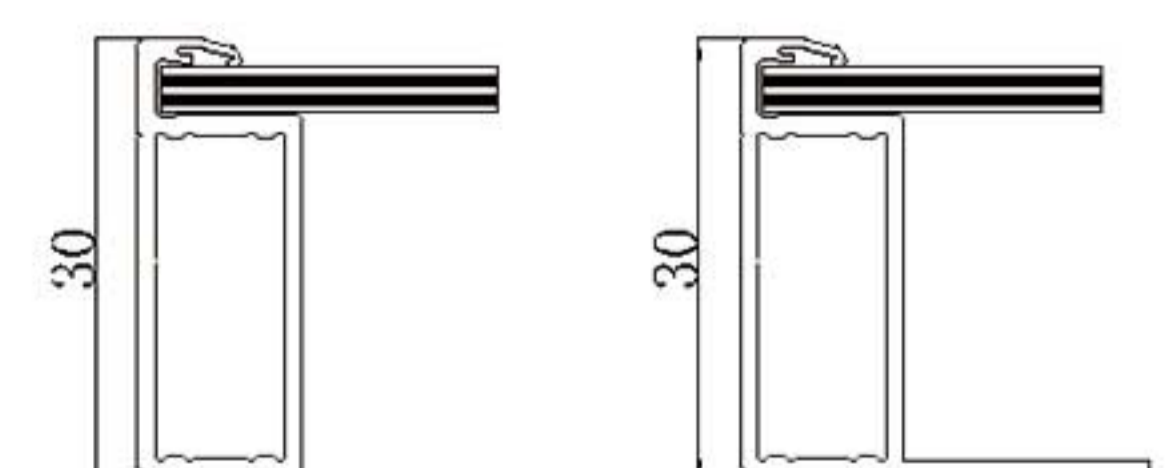
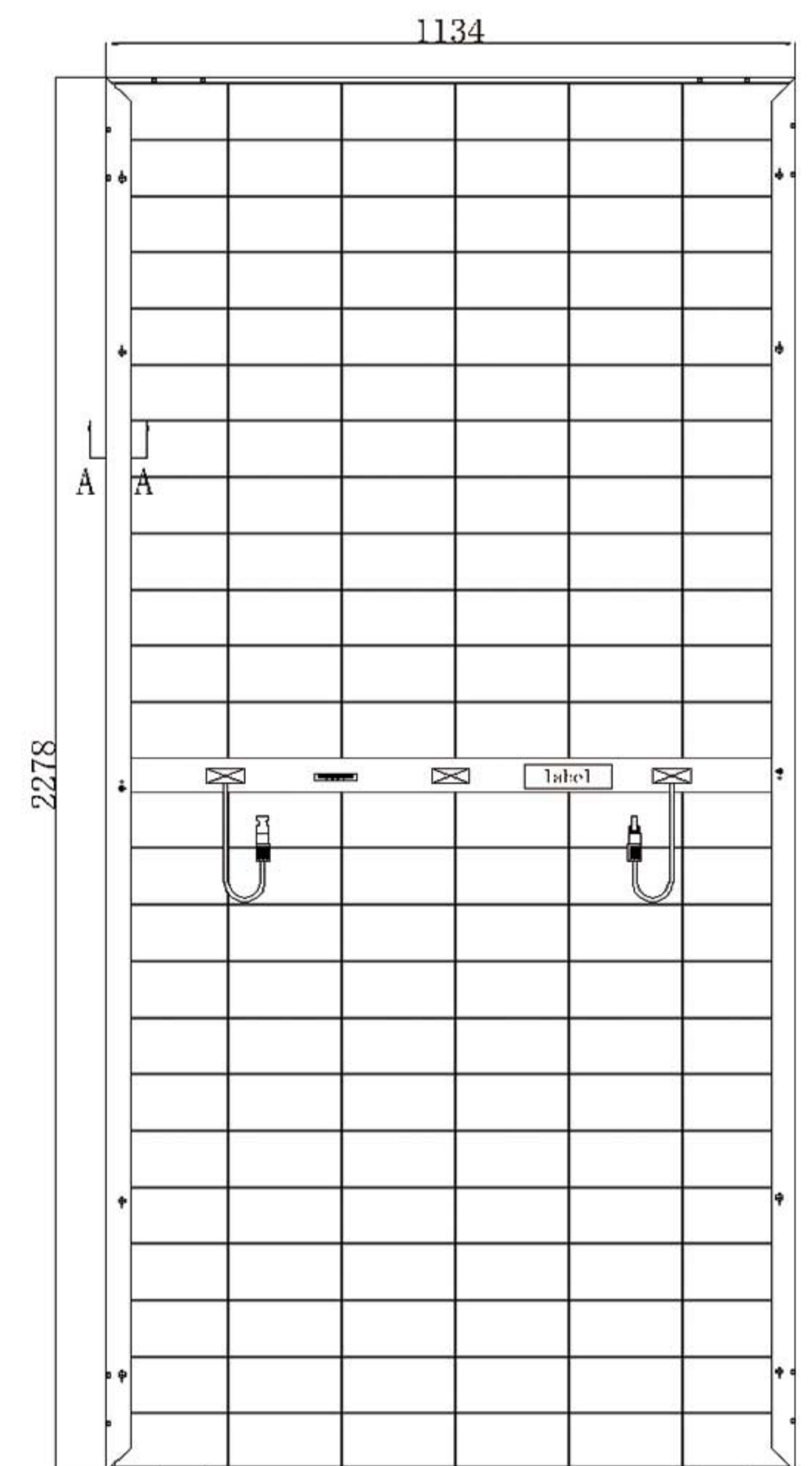
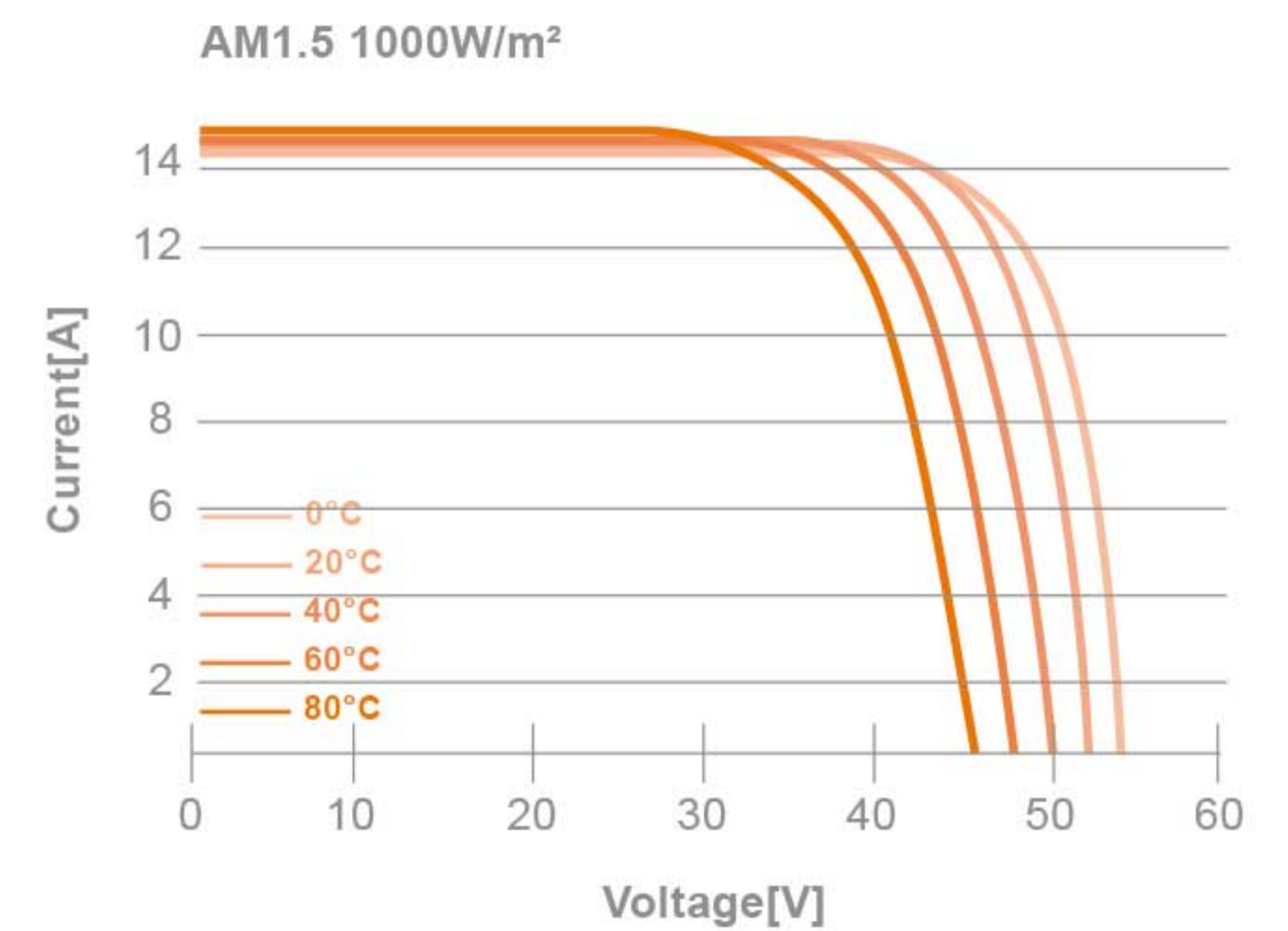
Packing Type	40'HQ
Piece/Pallet	36
Piece/Container	720

*The specification and key features described in this datasheet may deviate slightly and are not guaranteed. Due to ongoing innovation, R&D enhancement, ECO DELTA POWER CO., LTD Reserves the right to make any adjustment to the information described herein at any time without notice. Please always obtain the most recent version of the datasheet which shall be duly incorporated into the binding contract made by the parties governing all transactions related to the purchase and sale of the products described herein.

Current-Voltage Curve under different irradiance



Current-Voltage Curve under different working temperatures



A A